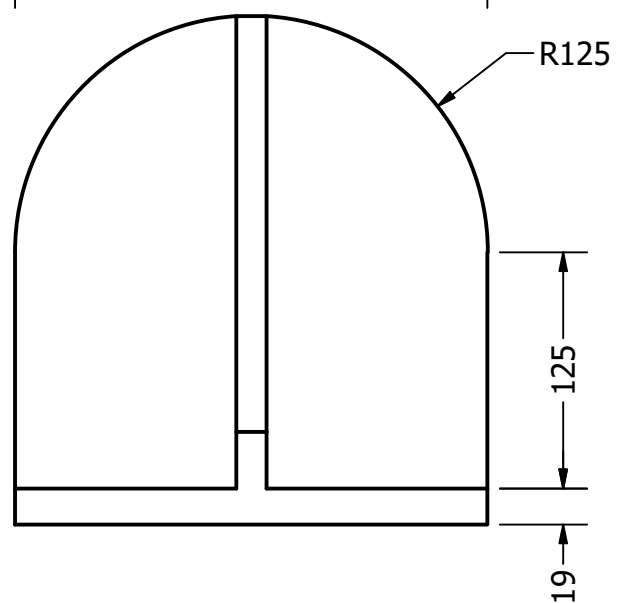


DETAIL A
SCALE 1 / 2



DRAWN	IsaacFC	05/09/2020	TITLE			
CHECKED						
QA						
MFG						
APPROVED			SOPORTE ASTM A-36			
			SIZE	Cot. mm	DWG NO	REV
			A3		SOPORTE	
			SCALE	1 / 4	SHEET 1 OF 1	